

---

**SCHOTTKY BARRIER DIODE****FEATURES**

- Low Forward Voltage
- Low Inductance
- Surface Mountable
- Full-Center Rectifier Circuit Application

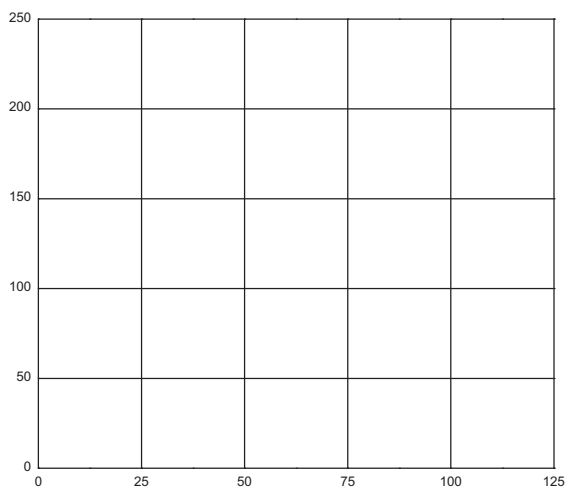
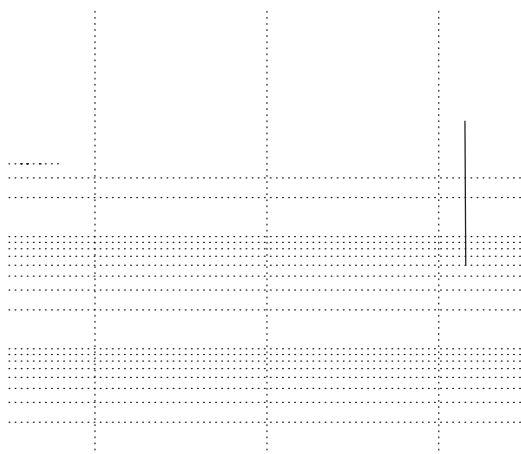
**SOD-323****MECHANICAL DATA**

- Case: SOD-323
- Case Material: Molded Plastic, UL flammability
- Classification Rating: 94V-0
- Minimum Solder: Lead-free J-STD-020
- Weight: 0.005 gram (approximate)

**MAXIM**

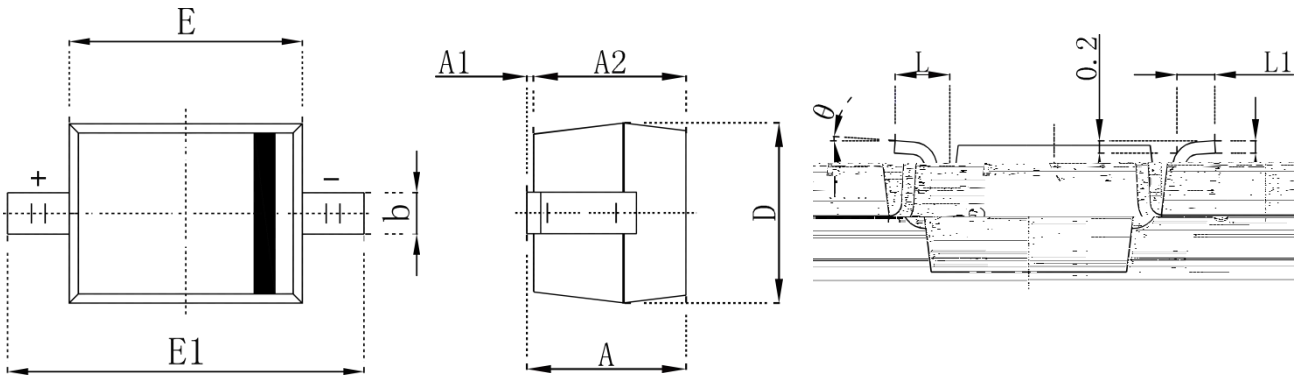
SCHOTTKY BARRIER DIODE

**Typical Characteristics**



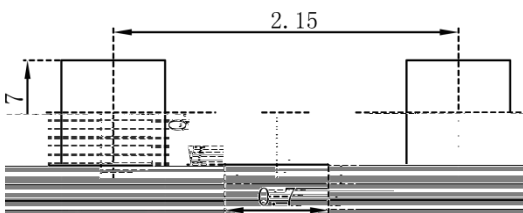
SCHOTTKY BARRIER DIODE

SOD-323 Package Outline Dimensions



Symbol	Dimensions In Millimeters		Dimensions In Inches	
	Min.	Max.	Min.	Max.
A		1.000		0.039
A1	0.000	0.100	0.000	0.004
A2	0.800	0.900	0.031	0.035
b	0.250	0.350	0.010	0.014
c	0.080	0.150	0.003	0.006
D	1.200	1.400	0.047	0.055
E	1.600	1.800	0.063	0.071
E1	2.250	2.750	0.100	0.108
L	0.475 REF		0.019 REF	
L1	0.250	0.400	0.010	0.016
	0	8	0	8

SOD-323 Suggested Pad Layout



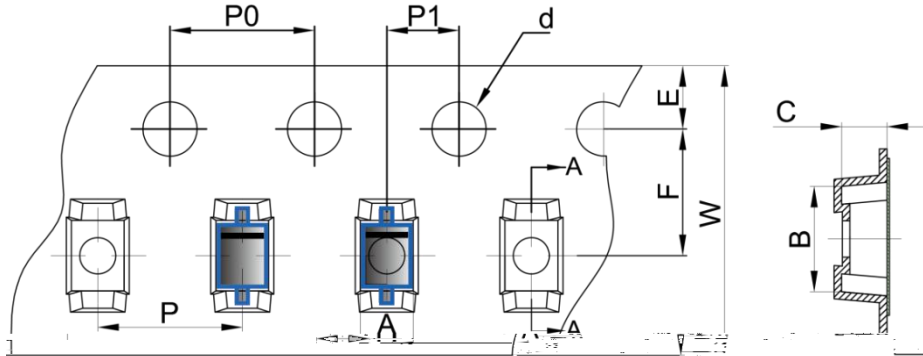
Note:

1. Controlling dimension: in millimeter
2. General tolerance: 0.05mm
3. The pad layout is reference only

SCHOTTKY BARRIER DIODE

**SOD-323 Tape and Reel**

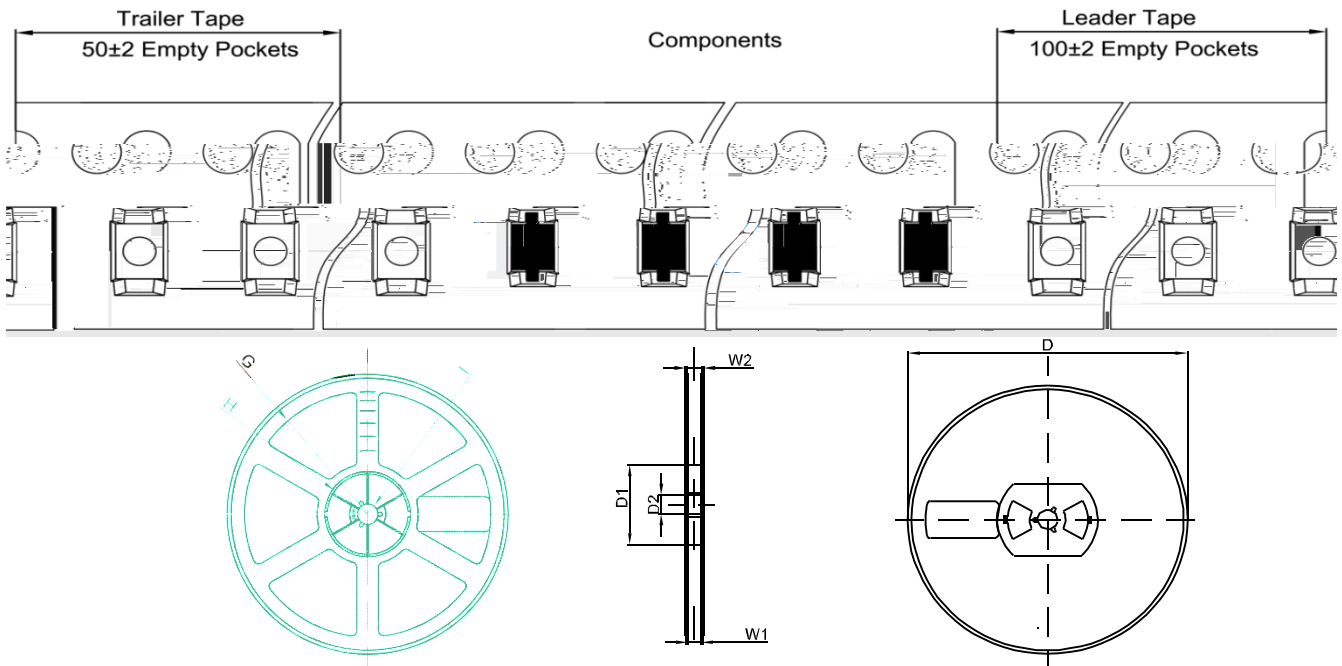
**SOD-323 Embossed Carrier Tape**



**SOD-323 Tape Leader and Trailer**

DIMENSIONS ARE IN MILLIMETER										
TYPE	A	B	C	d	E	F	P0	P	P1	W
SOD-323	1.48	3.3	1.25	1.50	1.75	3.50	4.00	4.00	2.00	8.00
TOLERANCE	0.1	0.1	0.1	0.1	0.1	0.1	0.1	0.1	0.1	0.1

**SOD-323 Reel**



DIMENSIONS ARE IN MILLIMETER								
REEL OPTION	D	D1	D2	G	H	I	W1	W2
7 DIA	178	54.40	13.00	R78	R25.60	R6.50	9.50	12.30
TOLERANCE	2	1	1	1	1	1	1	1