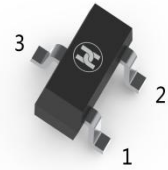
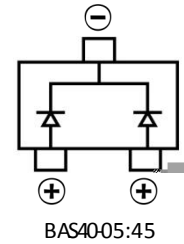


SCHOTTKY BARRIER DIODE

- Low Forward Voltage
- Fast Switching
- Surface Mount device
- For General Purpose Switching Applications



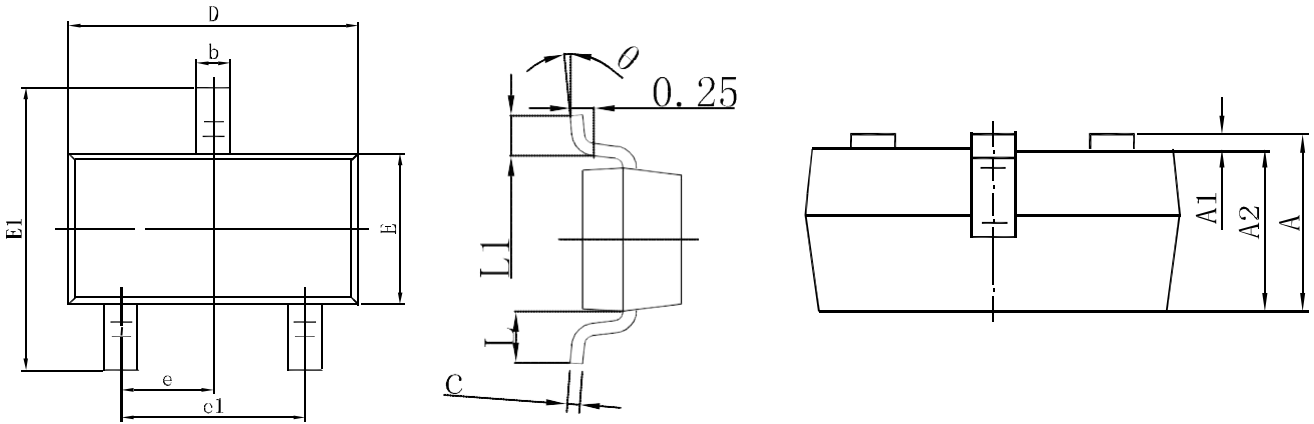
- Case: SOT-23
- Case Material: Molded Plastic. UL flammability
- Classification Rating: 94V-0
- Moisture Sensitivity: Level 1 per J-STD-020
- Weight: 0.013 grams (approximate)



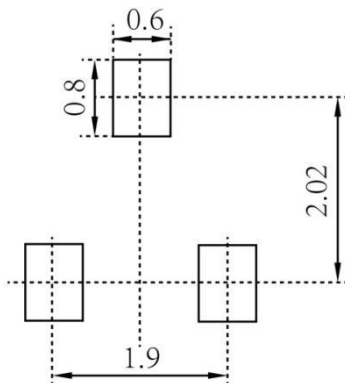
Reverse Voltage	V_R		
Peak Repetitive Peak Reverse Voltage	V_{RRM}	40	V
Working Peak Reverse Voltage	V_{RWM}		
Forward Continuous Current	I_F	200	mA
Power Dissipation	P_D	200	mW
Thermal Resistance From Junction To Ambient	R_{JA}	500	°C/W
Junction Temperature	T_J	125	°C
Storage Temperature	T_{STG}	-55 ~+150	°C

Reverse breakdown voltage	$V_{(BR)}$	40	V	$I_R=10\mu A$
Reverse voltage leakage current	I_R	200	nA	$V_R=30V$
Forward voltage	V_{F1}	0.38	V	$I_{F1}=1\text{ mA}$
	V_{F2}	1	V	$I_{F2}=40\text{mA}$
Diode capacitance	C_D	5	pF	$V_R=0V, f=1\text{MHz}$
Reverse recovery time	T_{rr}	5	nS	$I_F=I_R=10\text{mA}$ $I_{rr}=0.1 \times I_R$ $R_L=100$

SCHOTTKY BARRIER DIODE



	Min.	Max.	Min.	Max.
A	0.900	1.150	0.035	0.045
A1	0.000	0.100	0.000	0.004
A2	0.900	1.050	0.035	0.041
b	0.300	0.500	0.012	0.020
c	0.080	0.150	0.003	0.006
D	2.800	3.000	0.110	0.118
E	1.200	1.400	0.047	0.055
E1	2.250	2.550	0.089	0.100
e	0.950 TYP		0.037 TYP	
e1	1.800	2.000	0.071	0.079
L	0.550 REF		0.022 REF	
L1	0.300	0.500	0.012	0.020
	0°	8°	0°	8°



1. Controlling dimension: in millimeters
2. General tolerance: ±0.05mm
3. The pad layout is for reference purposes only

SCHOTTKY BARRIER DIODE

