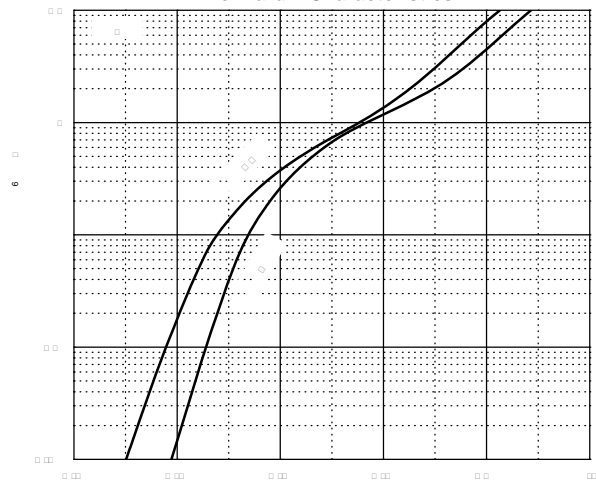

SCHOTTKY BARRIER DIODE

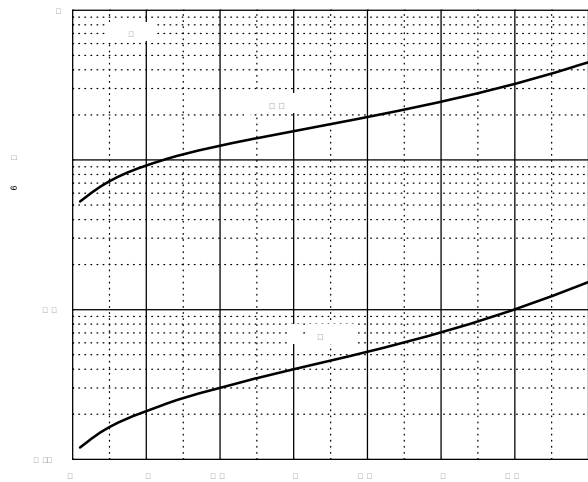
- Low Forward Voltage
 - Fast Switching
 - Surface Mount device
 - For General Purpose Switching Applications
-
- Case: SOT-23
 - Case Material: Molded Plastic. UL flammability
 - Classification Rating: 94V-0
 - Moisture Sensitivity: Level 1 per J-STD-020
 - Weight: 0.013 grams (approx)

SCHOTTKY BARRIER DIODE

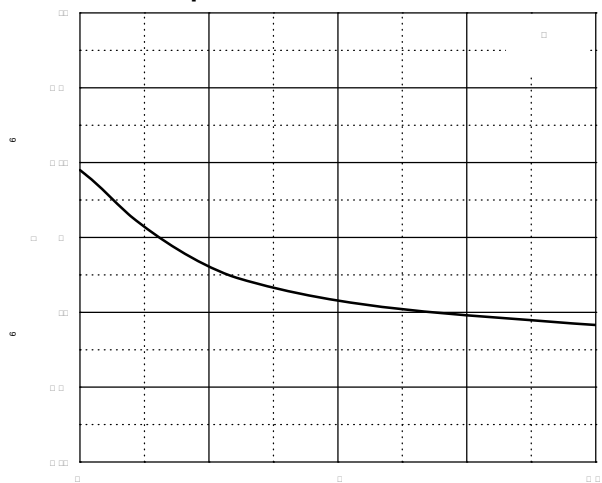
Forward Characteristics



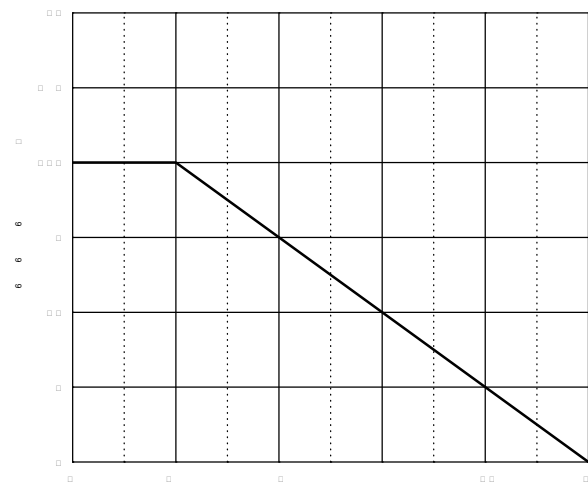
Reverse Characteristics



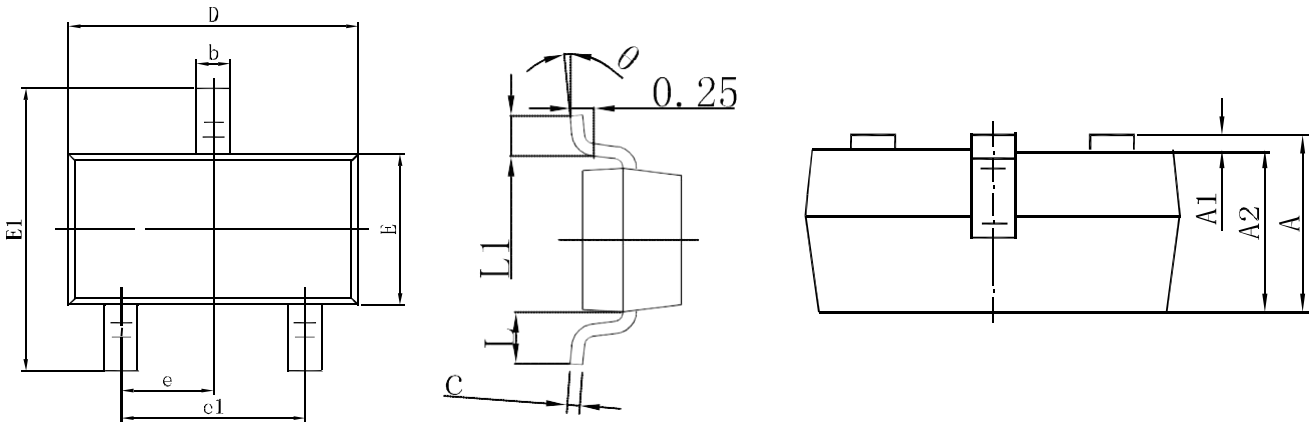
Capacitance Characteristics



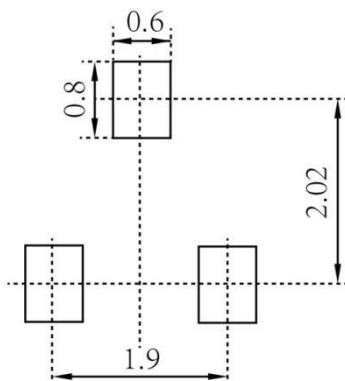
Power Derating Curve



SCHOTTKY BARRIER DIODE



	Min.	Max.	Min.	Max.
A	0.900	1.150	0.035	0.045
A1	0.000	0.100	0.000	0.004
A2	0.900	1.050	0.035	0.041
b	0.300	0.500	0.012	0.020
c	0.080	0.150	0.003	0.006
D	2.800	3.000	0.110	0.118
E	1.200	1.400	0.047	0.055
E1	2.250	2.550	0.089	0.100
e	0.950 TYP		0.037 TYP	
e1	1.800	2.000	0.071	0.079
L	0.550 REF		0.022 REF	
L1	0.300	0.500	0.012	0.020
	0°	8°	0°	8°



1. Controlling dimension: in millimeters
2. General tolerance: ±0.05mm
3. The pad layout is for reference purposes only

SCHOTTKY BARRIER DIODE

